

PUTTER FITTING PROTOCOL

Is Zero Torque Right For You? Get Fit & Find Out!

STEP 1: Pre-Fit interview.

STEP 2: Hit 4-5 putts with gamer putter.

- Apply 3 fiducials to the player's gamer putter.
- Reference GC Quad data, specifically the 'Face To Target' metric.

STEP 3: Hit 4-5 putts with S2S putter

- Reference GC Quad data, specifically the 'Face To Target' metric.
- If the S2S putter shows improvement and/or is close to 0°, Zero Torque may be right for them.

STEP 4: Hit 4-5 putts with a traditional Ai ONE putter. See tip to the right to aid with selection.

- Reference GC Quad data, specifically the 'Face To Target' metric.

STEP 5: Discuss which Odyssey putter the customer performed the best with. Emphasize and discuss player feedback on look, alignment, start line, and/or feel.

STEP 6: Make final recommendation for Square 2 Square or traditional Ai ONE putter.

TIP

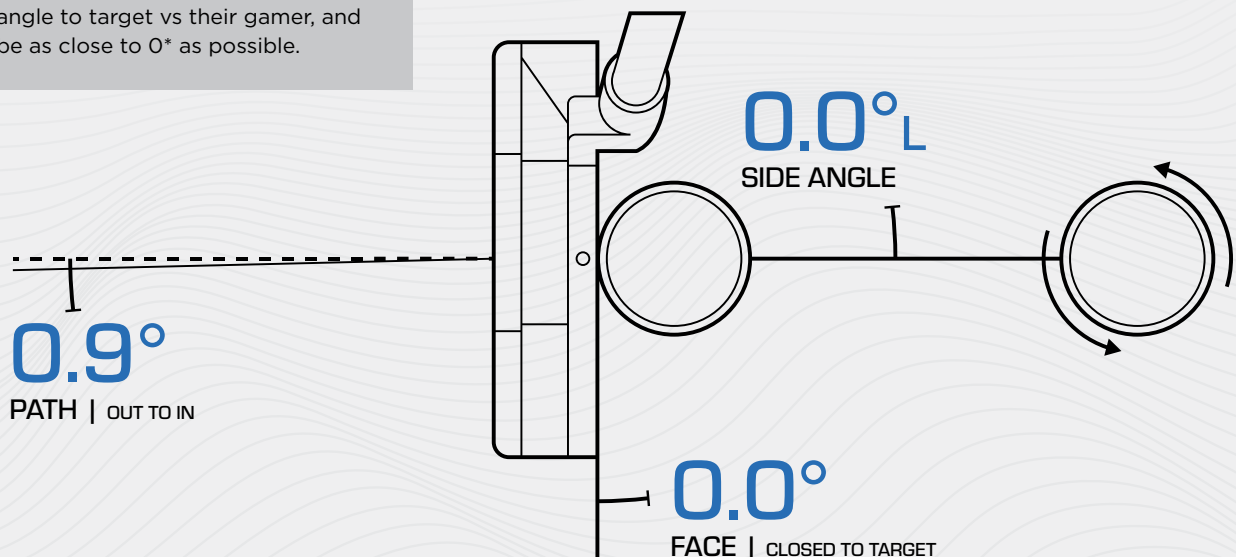
Right miss bias: Reduce toe hang, more forward CG

Left miss bias: Increase toe hang, more rearward CG

Inconsistent miss bias: Face balanced, more forward CG

Note, in some cases reducing or increasing toe hang may cause an opposite result.

GOAL: show improvement in face angle to target vs their gamer, and be as close to 0° as possible.

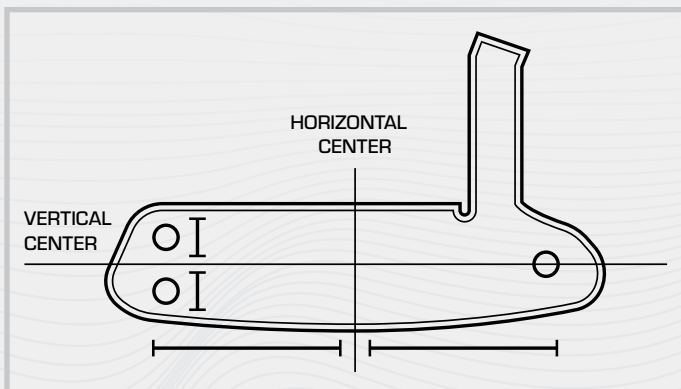


FITTING PREP GUIDE

1. What Putter Models to Bring To Your Fitting Day:

- **Ai-ONE Square 2 Square Models**
S2S Max and/or Max Stripe
S2S Jailbird
S2S #7
S2S Double Wide
- **Ai-ONE “Traditional” Models**
Jailbird Mini CH
Jailbird Mini DB
Jailbird Mini Slant
Seven CH
Seven DB
Seven Slant
Double Wide CH
Double Wide DB

3. Where To Apply Fiducials:



- The heel fiducial should be placed along the vertical center line, at the heel edge of the club face. The two remaining fiducials should be placed the same distance from the horizontal center as the first, on the opposite (toe) edge. The 2 toe fiducials should be placed equidistant from the vertical center line.

2. GC Quad Setup Instructions:

- Connect your GCQuad to your Windows computer using the USB-C cable provided with the device.
- Be sure to update your GCQuad firmware to the latest version from the Drivers and Downloads page:
*The new firmware installation will update the firmware on its own. This process may cause the device to restart and will take a few minutes to complete. **Be sure not to power down the device during this process.***
- To turn on the Putting Feature open the GCQuad on screen menu and select the first option: Tracking Mode. Here you will be offered the option to turn on/off Club and Putting. Be sure Putting is turned on.
****Note:** FSX will automatically operate and activate putting mode while on a green. Connect the device in your software to enable the full putting feature.*
- Ensure you are connecting to the unit with the the FS Performance Fitting app, not FSX Pro app on your mobile device. Image below.

